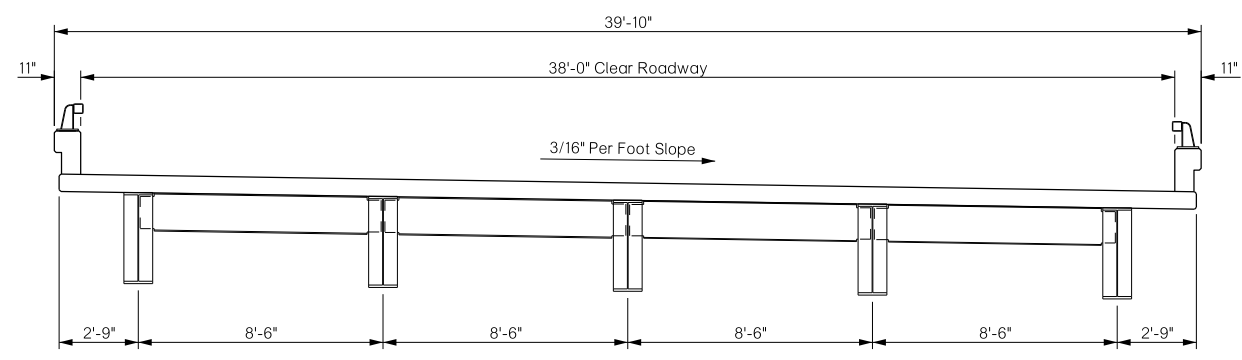
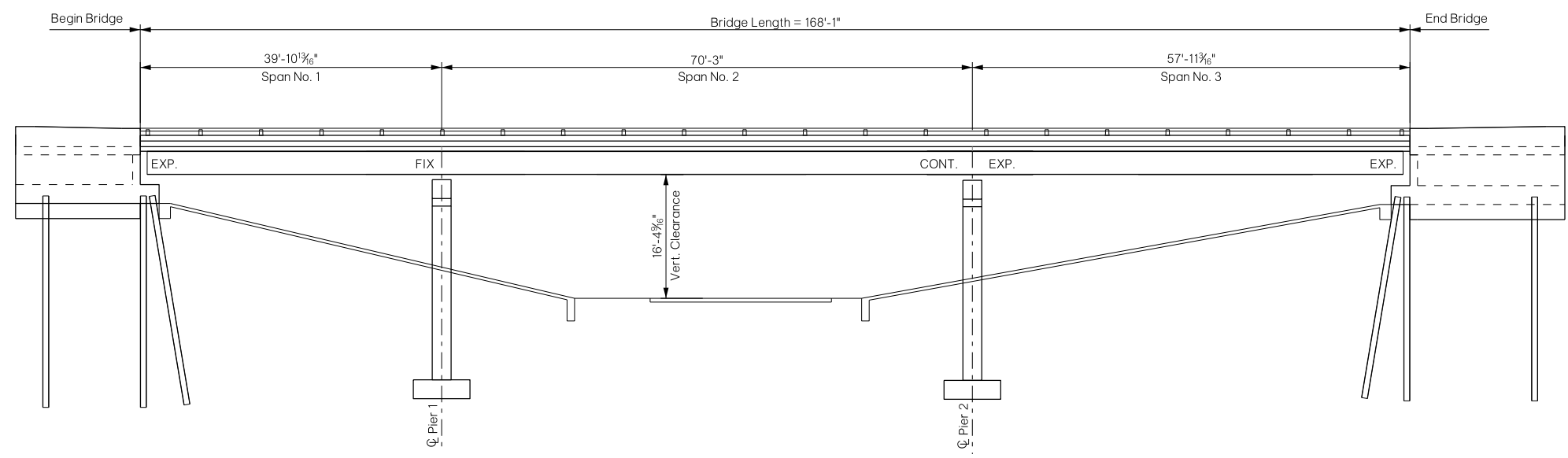
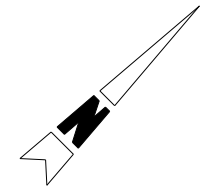
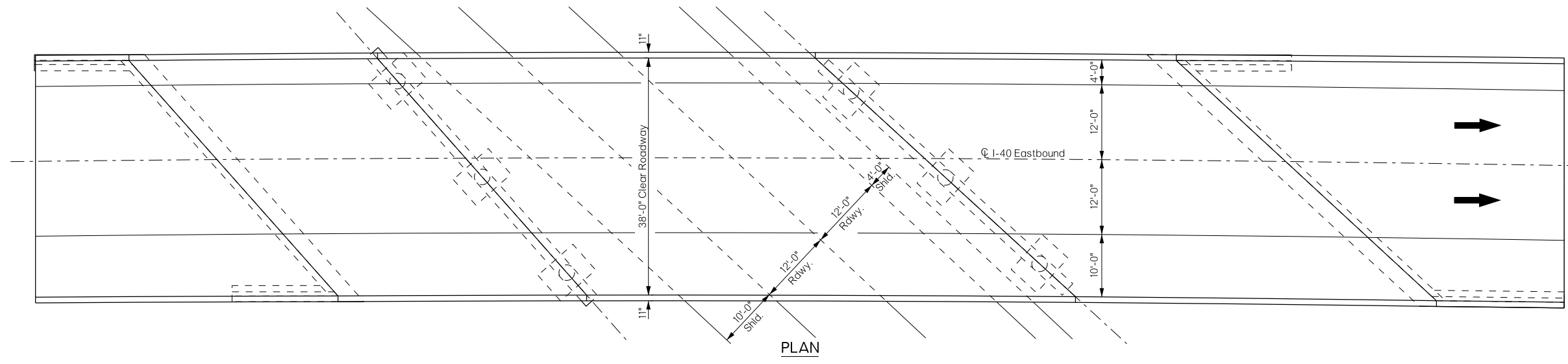


REVISIONS		
REV. NO.	DESCRIPTION	DATE



HALF END VIEW

HALF SECTION VIEW

TYPICAL SECTION

BRIDGE "B" I-40 E.B. OVER I-40 BUSINESS GENERAL PLAN AND ELEVATION	CUSTER COUNTY		Design	N/A	N/A
			Detail	WDY	02/16
			Check	DAH	03/16
			Squad	HARJO	
		Engr:	MOLLA-ESMAIL		
STATE OF OKLAHOMA		DEPARTMENT OF TRANSPORTATION			
		JOB/PIECE NO.	31700(04)		SHEET NO. B002